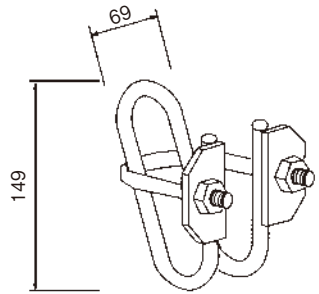


隅梁受

型 式	WH-2
重 量	2.0kg



The image shows a technical drawing of a corner beam bracket. The drawing is a line drawing of a metal bracket with two curved arms and a central mounting plate. Two bolts are shown passing through the mounting plate. Dimension lines indicate a vertical height of 149 and a horizontal width of 69.